



**Thank you for purchasing your new Powertec equipment.
To maximize the use of this Equipment, please take a moment to study, understand and familiarize with the assembly instructions and follow the sequence of steps as provided in the manual.**

Because of our products unique features, this assembly instructions were created to provide you with information on how to assemble properly.

The safety and performance of this and all Powertec products can be maintained only if is Examined regularly for damage and normal wear.

**WB-DR10
Workbench Dumbbell Rack**

Capacity

1, 500 Lbs. / Approximately 6 Sets of 12 Normal Size Dumbbells

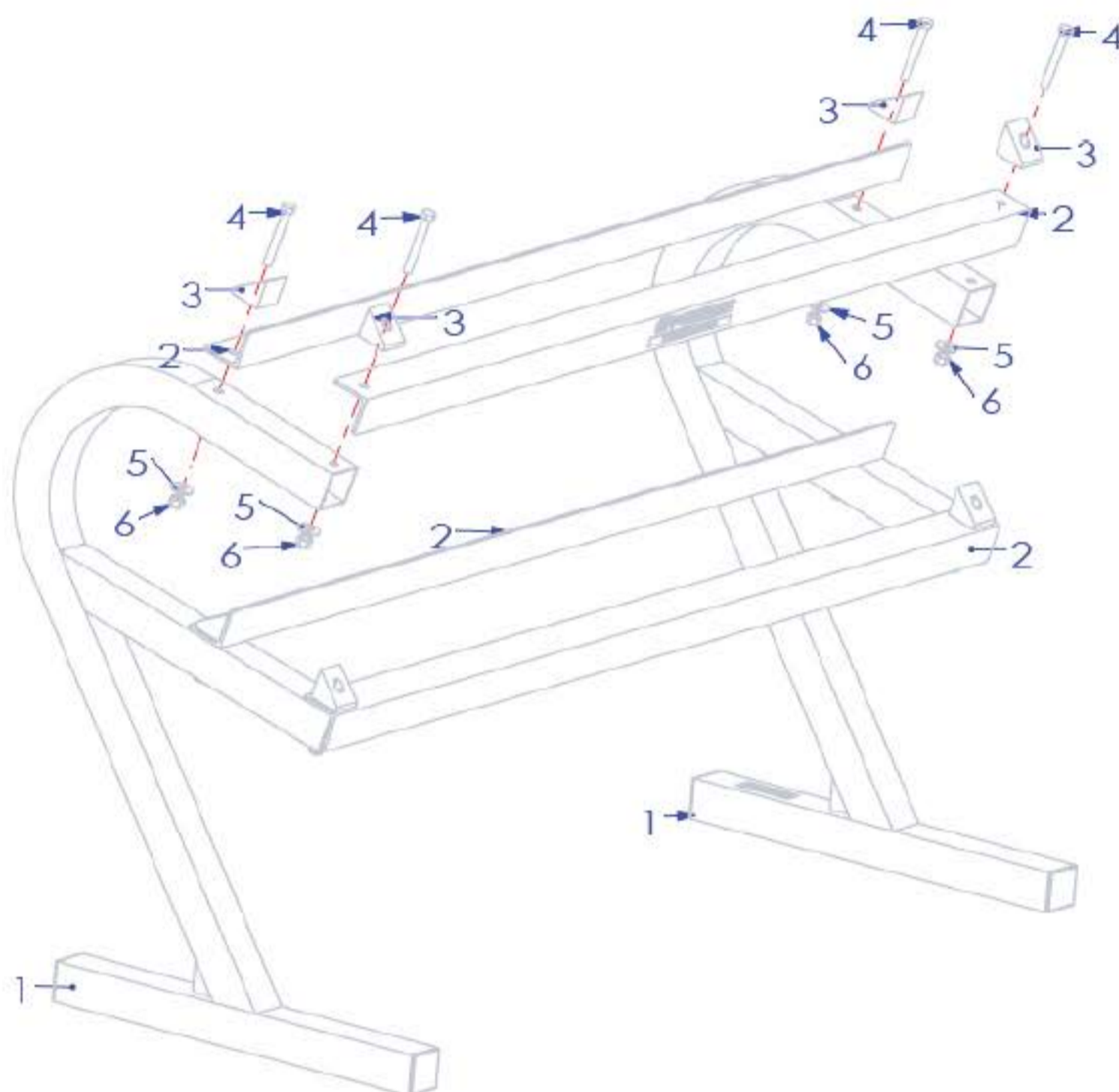
**Recommended Powertec Storage Rack
WB-ASR10**

Recommended Powertec Workbench Accessories

WB-LLA14	Leg Lift Accessory	WB-CMA-13	Curl Machine Accessory
WB-PFA13	Pec Fly Accessory	WB-LPA13-S1	Leg Press Accessory
WB-DMA13	Dip Accessory	WB-LTA14	Lat Tower Accessory

EXPLODED DIAGRAM

POWERTEC[®]



Assembly:

Install Part No. 2 Angle Bars on to Part No. 1 Main Frame
Using Hardware No. 4 Hex Bolts, No. 5 Washer and No. 6 Nuts.

Part#	Description	Qty.
1	Main Frame	2
2	Angle Bar	4
3	Plastic Bumper	8
4	Hex Bolt 3/8"x2"	8
5	Washer 3/8"	8
6	Nylon Nut 3/8"	8

WB-DR10

WORKBENCH DUMBBELL RACK

WARRANTY

Serial No.

Thank you for purchasing one of Powertec's products.

Powertec warrants that the Product you have purchased is free from defects in materials and workmanship.

Powertec offers a Lifetime Warranty on Structural Frame.(Excludes Surface Finish).
5 year warranty on Moving Frames (Press Arms and other unspecified moving components).
Two year warranty on Components (Bearings, Locking Pins, Pulleys, Cables, Slide Rods).
One year warranty on Pads, Grips and other unspecified parts.

- All parts are shipped free of charge for first 90 days of date of purchase.
- Warranty is to original purchaser only (excluding dealer). Warranty is not Transferable in the event you sell the product.
- Warranty claims are subject to inspection and are voided if equipment shows Signs of abuse or alterations made other than the ones recommended by Powertec.
- Missing parts must be reported within 30 days from receipt of unit(s).
- Proof of purchase is required; your sales receipt must show date of purchase.
- For more information on the warranty or to obtain warranty service, please contact The appropriate Powertec Customer Service Department in the USA or Europe.

Powertec Inc. USA
2100 E. Artesia Boulevard
Long Beach, CA. 90805 – USA

Powertec Europe
6, Rue de l'Europe
68500 Bergholtz - France

Phone: (800) 250-6665
E-mail: service@powertecfitness.com

Phone: + 33 (0) 3 89 62 56 30
E-mail: contact@powertec-europe.fr

Thank you for giving us the opportunity to fulfill your strength and fitness needs.

POWERTEC® Customer Warranty Information Sheet

Last Name: _____ First Name: _____

Company: _____

Street Address: _____

City: _____ State: _____ Zip Code: _____

Daytime Telephone No: _____ Alternate Telephone No. _____

E-Mail: _____ Date of Purchase: _____ Purchase Price: _____

Dealer Name and Address: _____

Model Name & Code: _____ Optional: Male / Female: _____ Age: _____ Occupation: _____

POWERTEC IS NOT LIABLE IF THE TRAINER SHOULD INJURE THEMSELVES WHILE USING POWERTEC EQUIPMENT OR WHILE PERFORMING THE TRAINING ROUTINE



COMMITTED TO STRONGER LIVES[®]

POWERTEC INC.
2100 East Artesia Boulevard
Long Beach, CA. 90805 - USA

Phone: (800) 250-6665
Fax: (714) 908-0493
service@powertecfitness.com
www.powertecfitness.com

POWERTEC EUROPE
6, Rue de l'Europe
68500 BERGHOLTZ - France

Phone: + 33 (0) 3 89 625 630
Fax: + 33 (0) 3 89 625 631
E-mail: contact@powertec-europe.fr

Return Warranty Registration Card to Appropriate Powertec Address:



Place
Stamp
Here



